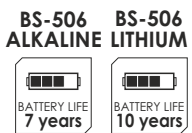
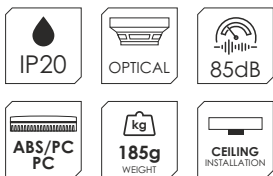




BS-506/ALKALINE
BS-506/LITHIUM
 BATTERY OPERATED
 SMOKE DETECTOR

The BS-506 is a battery operated smoke detector with an optical sensor for installation in residential buildings, apartments and rooms. Smoke detectors are designed to provide an early warning of fire events giving enough time for people to evacuate the building/room. Always consult local regulations for smoke alarms.

Dedal
 Attestation &
 Certification



European
 manufacturer

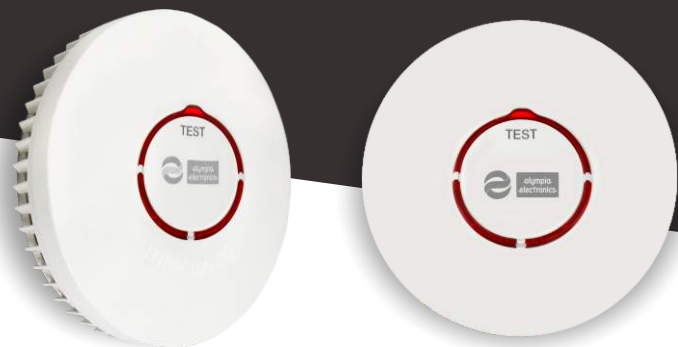


www.olympia-electronics.com



for a safer world!

- Automatic fault diagnosis
- Infrared photoelectric sensing technology
- Moth-proof design
- Dynamical dust compensation
- Hush function
- Alarm memory
- Low battery indication with optional 8 hours suspension
- EN14604:2005 certified.



Automatic Fault Diagnosis

Periodical self – test is provided automatically by the device to check its integrity and main functionality. In a fault diagnose, an audible indication signal will be produced. Also, manual test operation is provided for the user to verify the detector's reliable operation at any time.

Infrared Photoelectric Technology

The optical sensing technology, offers the advantage of high sensitivity and accuracy. Also it is safe and environmentally friendly

Dynamical Dust Compensation

The detector is tracking the long-term dust deposition on its sensors and applies a compensation algorithm. The dust compensation keeps stable the smoke sensitivity and rejects false alarms.

Moth-proof Design

The moth-proof design protects the device's sensitive components from insects and other foreign bodies that could trigger the alarm or degrade the detector's operation ensuring reliable operation over time.

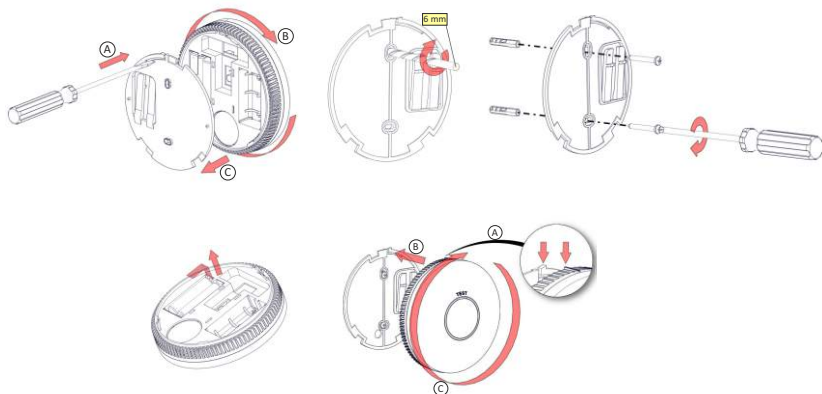
Hush Function

When the detector is in alarm condition, the user has the choice to initiate the Hush mode for a specific time by pressing the Test button. When Hush mode starts, the unit immediately resets out of Alarm, the horn is silenced and the Red LED flashes faster to indicate the Hush mode.

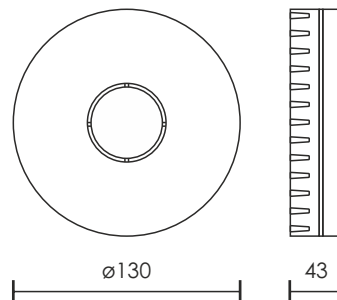
Alarm Memory

The Alarm Memory allows easy identification of any unit that had previously been in Alarm. When a detector exits an Alarm condition, the Yellow LED is blinking for a period of 24 hours. After this period has elapsed, the user will still be able to identify a unit that had previously been in Alarm, by pressing the TEST button.

Easy installation



Dimensions in mm



www.olympia-electronics.com

European
manufacturer



The company is certified by

APPROVAL
SWISS
Objectively True

ISO 14001, ISO 45001, ISO 9001

F-002-007