

BS-901

Room thermostat with Boiler



TECHNICAL CHARACTERISTICS

Description	Bimetallic room thermostat
Operation Voltage	220 - 240V AC / 50 - 60Hz
Outputs	Bimetallic contact 10 (for resistive load) Switch contact for Boiler 10 (for resistive load)
Contacts	ON - OFF / Boiler
Indicators	Output activation indicator / Boiler activation indicator
Temperature adjustment	5 to 35 C
Differential	1°C
Degrees of cover protection	IP 20
Produced in accordance with	EN 60730
Operation temperature range	Up to 50 C
Humidity	Up to 65% relative humidity
Dimensions	86x83x35mm
Weight	120gr.
Guarantee	2 years

Thank you for your trust in our products
Olympia Electronics - European manufacturer

GENERAL

The room thermostat is used in areas where it is essential to control the temperature. The contact of the thermostat can activate any heating device.

The thermostat is mounted at a height of about 1,5 meters and away from doors, drafts and heating or cooling units.

When the switch of the thermostat is in the OFF position then the thermostat does not operate. In the ON position, the thermostat is fully operational.

The adjustment of the thermostat must be done 30 minutes after powering the unit. This time is required in order for the thermostat to adjust to its surroundings.

Connections

Rotate the adjustment knob to the maximum position (35°C). Place a flat blade screwdriver in the notch between the base and the knob and lift until the knob comes freely. To separate the cover from the base, press the retaining tabs, found on the top and bottom side and pull the cover.

After removing the cover we can see 6 terminal blocks that are numbered and shown in figure 1.

First we connect the burner with terminal 3 of the thermostat and with the neutral N of the mains power supply. Connect terminal 1 of the thermostat with the mains phase wire L and terminal 4 with the mains neutral wire. After these connections are made, the thermostat is ready to operate.

BS-901 has the ability to control the Boiler function by using the boiler switch,

after connecting the Boiler to the terminal 6, and to the mains neutral wire N and finally the live wire L to the terminal 5 (Figure 1).

Scale adjustment (if necessary).

The thermostat has been pre-adjusted at the factory. If for any reason, the scale of the thermostat does not correspond the actual temperature then it can be adjusted. This procedure must be done at least 48 hours after installing the thermostat. To adjust the scale first measure the temperature near the thermostat with another thermometer. Subtract this temperature with the indicated temperature on the scale of the thermostat. (e.i. If the measured temperature is 23 degrees and the scale reads 25 degrees then we have $25 - 23 = 2$ degrees difference). Remove the adjustment knob. This knob consists of two sections. The external section (Fig.2) with the anti-slipping area and the internal area (Fig.3) with the scale On the back side of the

knob we can see a scale with lines. Each line corresponds to 1 degree. (Fig.4) While holding the external section steady, rotate the internal section in order to add or subtract the temperature difference that was calculated.

After this is finished re-insert the knob on the thermostat.

WARNING, do not power the thermostat with the mains power supply if the cover is not secured into position.

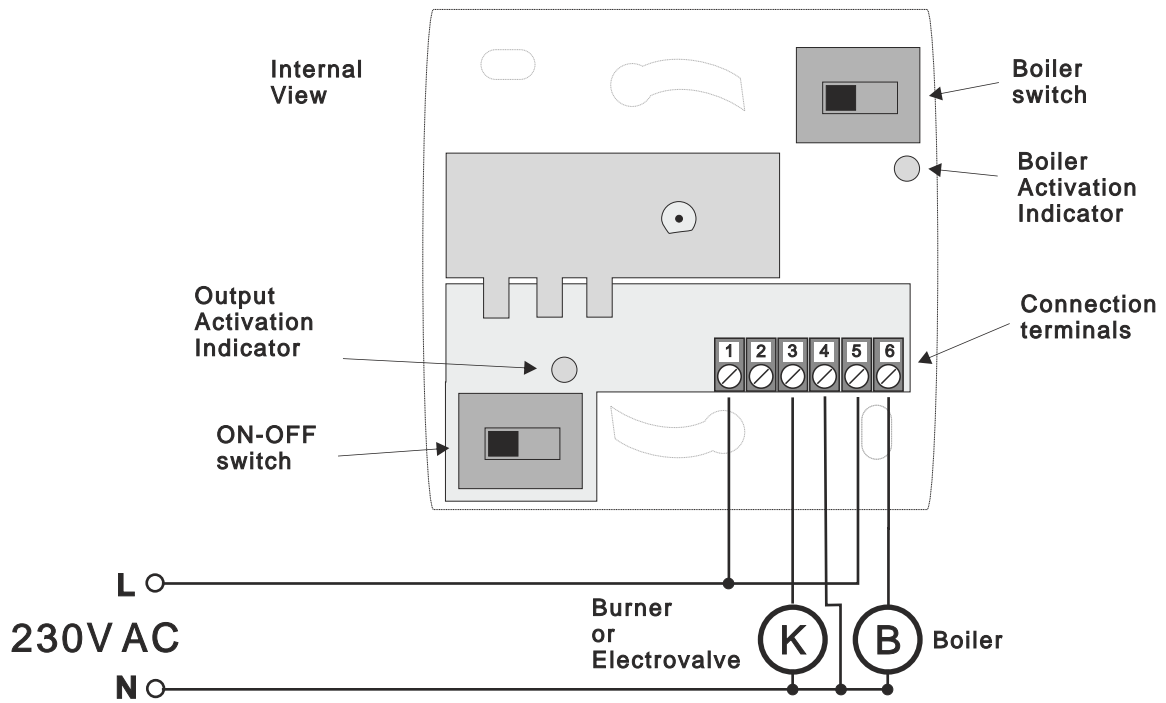


Figure 1. Connection diagram



Fig.2

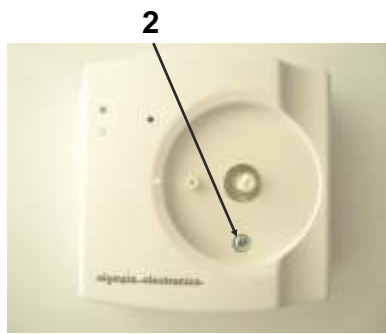


Fig.3

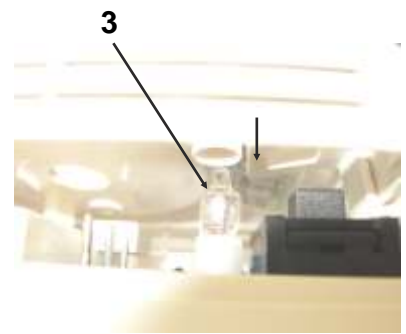
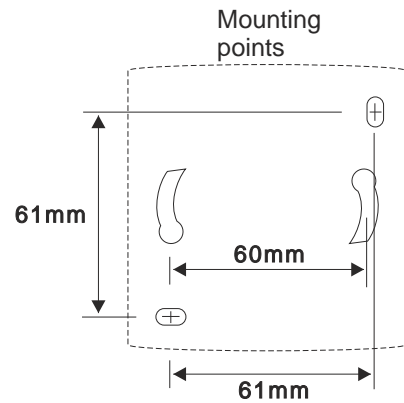
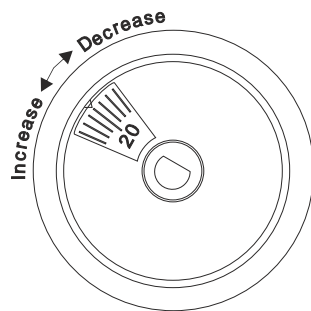
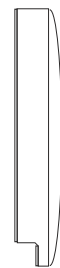
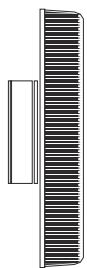


Fig.4



WARRANTY

Olympia Electronics guarantees the quality, condition and operation of the goods. The period of warranty is specified in the official catalogue of Olympia Electronics and also in the technical leaflet, which accompanies each product. This warranty ceases to exist if the buyer does not follow the technical instructions included in official documents given by Olympia Electronics or if the buyer modifies the goods provided or has any repairs or re-setting done by a third party, unless Olympia Electronics has fully agreed to them in writing. Products that have been damaged can be returned to the premises of our company for repair or replacement, as long as the warranty period is valid.

Olympia Electronics reserves the right to repair or to replace the returned goods and to or not charge the buyer depending on the reason of deflection. Olympia Electronics reserves the right to charge or not the buyer the transportation cost.

HEAD OFFICE

72nd km. O.N.R. Thessaloniki-Katerini
P.C. 60300 P.O. Box 06 Katerinio Pierias Greece

www.olympia-electronics.gr

info@olympia-electronics.gr