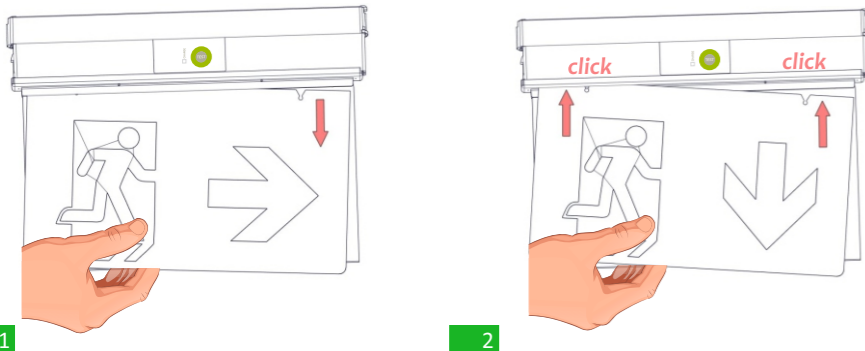
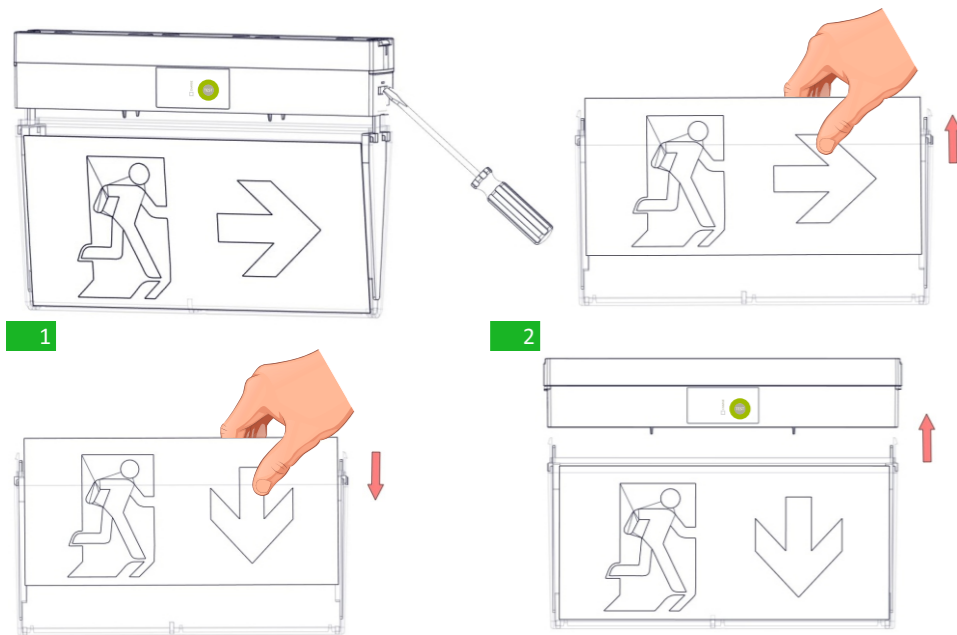


## Legend installation-replacement

### KLD-22 & KLD-30



### KLR-20



**NOTE:** LED= Light Emitting Diode

#### LABELING EXPLANATION:

**X:** Self contained

**1:** Maintained (\*)

**A:** Including test device

**E:** With non-replacable lamp(s) and/or battery


**G:** Internally illuminated safety sign

**180:** 3 hours duration

(\*) **Maintained operation:** The luminary lights its illumination source, when it is powered by the mains power supply or not.

**Non Maintained operation:** The luminary lights its illumination source, only in power supply's failure.

#### ATTENTION!!!

 The light source of this luminary is not replaceable when the light source reaches its end of life the whole luminary shall be replaced.

## Technical Characteristics

	KLD-30	KLD-22	KLR-20
MAINS VOLTAGE	220-240V AC / 50-60Hz		
MAXIMUM POWER CONSUMPTION	3.2W / 3.4VA		
BATTERY (Ni-Cd)	3.6V/1 Ah		
BATTERY PROTECTION	Overcharging and deep discharging protection		
INDICATIONS	Charge LED/ Test button		
RECHARGING TIME	24 hours		
MINIMUM EMERGENCY DURATION	3 hours		
LIGHT SOURCE INTENSITY (230V / EMERG.)	75lm/75lm		
VIEWING DISTANCE	30m	22m	20m
DEGREES OF COVER PROTECTION	IP54		
PRODUCED IN ACCORDANCE WITH	EN 60598-1, EN 60598-2-22, EN 55015, EN 61547, EN 61000-3-2, EN 61000-3-3		
OPERATION TEMPERATURE RANGE	5 to 40 °C		
RELATIVE HUMIDITY	up to 95%		
CONSTRUCTION MATERIALS	PC, Acrylic plate		PC
EXTERNAL DIMENSIONS (LXWXH)	310x35x216mm	254x35x180mm	254x35x170mm
TYPICAL WEIGHT	920gr.	700gr.	520gr.
GUARANTEE	3 years (1 year for the battery)		

## LED Characteristics

	KLD-30	KLD-22	KLR-20
MANUFACTURER	Olympia Electronics S.A.		
MODEL NUMBER	0405183		
VOLTAGE RANGE	11.2-13.2V DC		
NOMINAL POWER	0.72W		
CONNECTIONS	Built-in main board		
TEMPERATURE (tc)	45 °C max. across the board		

## Warranty

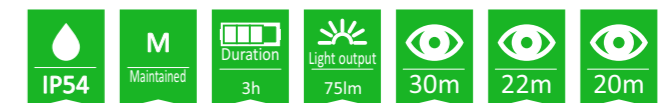
Olympia Electronics guarantees the quality, condition and operation of the goods. The period of warranty is specified in the official catalogue of Olympia Electronics and also in the technical leaflet, which accompanies each product. This warranty ceases to exist if the buyer does not follow the technical instructions included in official documents given by Olympia Electronics or if the buyer modifies the goods provided or has any repairs or re-setting done by a third party, unless Olympia Electronics has fully agreed to them in writing. Products that have been damaged can be returned to the premises of our company for repair or replacement, as long as the warranty period is valid.

Olympia Electronics reserves the right to repair or to replace the returned goods and to or not charge the buyer depending on the reason of deflection. Olympia Electronics reserves the right to charge or not the buyer the transportation cost.



## KLD-30, KLD-22, & KLR-20

### MAINTAINED EMERGENCY ILLUMINATION SIGNS



72nd km. O.N.R. Thessaloniki-Katerini  
P.C. 60300 P.O. Box 06 Eginio Pierias Greece  
[www.olympia-electronics.gr](http://www.olympia-electronics.gr)  
[info@olympia-electronics.gr](mailto:info@olympia-electronics.gr)

Thank you for your trust in our products  
Olympia Electronics - European manufacturer

## Package contents

1	Luminaire
1	Wall mounting accessorie
1	Ceiling mounting accessorie
1	Manual

## General

These luminaries are used indoors (ta 40°C) on the wall, where emergency light is needed. Each luminaire must be permanently connected to mains power supply. In normal operation the battery is charging. In case of a mains power supply failure the luminaire will light the led strip automatically in emergency mode. When the mains power supply is restored the device turns to normal operation.

**Non Maintained / maintained operation** there is an option to select the non maintained or maintained operation by placing the jumper to the appropriate position according to figure 4 (see page 3).

## Installation

To install the luminaire follow the installation instructions on pages 2 and 3.

## ATTENTION!!!

- Operations for installation, maintenance or testing must be done by authorized personnel only.
- The device must be connected to the mains power supply through a fuse dependent by the total amount of the line's power load.
- It is suggested to check every month the indication LED for battery charging, and by pushing the TEST button to check the emergency circuit. The led strip should light as long as the TEST button is pressed and the indication LED for battery charging should be off. If the luminaire doesn't work as described above contact the installer.
- It is suggested to check every 6

months the minimum autonomous duration by disconnecting the mains power supply. Count the time that the led strip lights and in case of less time than the nominal autonomy, the battery must be replaced. If the measured time is considerably less than the nominal autonomy contact the installer. In case of battery replacement, this must be replaced by part of the same type, by the manufacturer or by a competent person.

5. In case of inactive use for a period greater than 2 months, disconnect the battery by pulling out the battery's connector.

6. It is not allowed to discard batteries in to common trash bins, they must be discarded only in battery recycling points. Do not incinerate.

## Test Button- Manual Test for emergency operation

The manual test can be conducted only if the mains power supply and the battery is connected:



After 3 seconds, the luminaire returns to normal operation.

## Indication LED status Charge

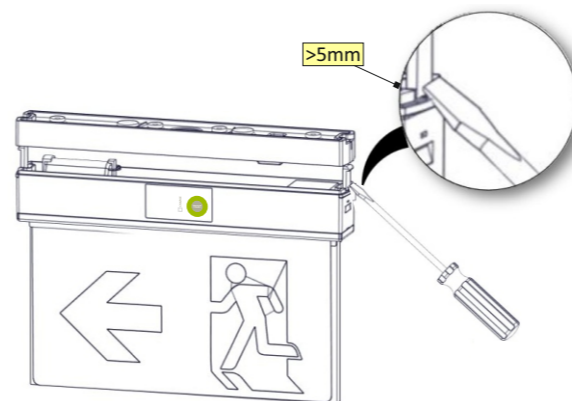
**On:** Fully charged.

**Off:** No battery (No charging current or disconnected battery).

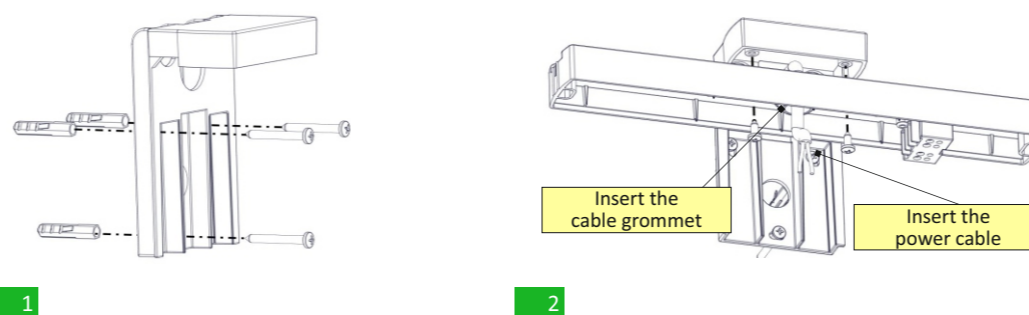
**Blink:** Charging.

## Installation methods

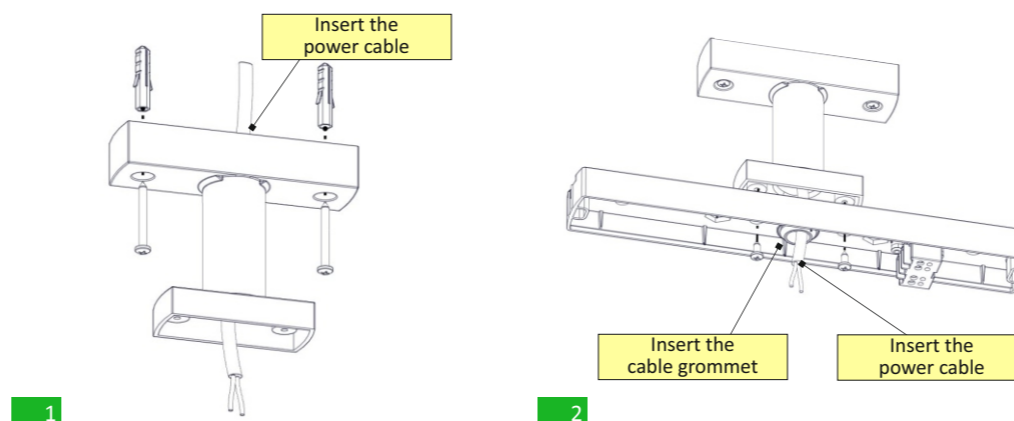
### Luminary disassembly



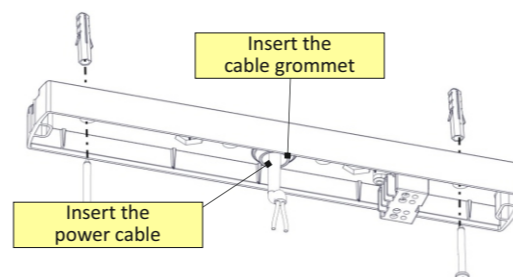
### Wall mounting



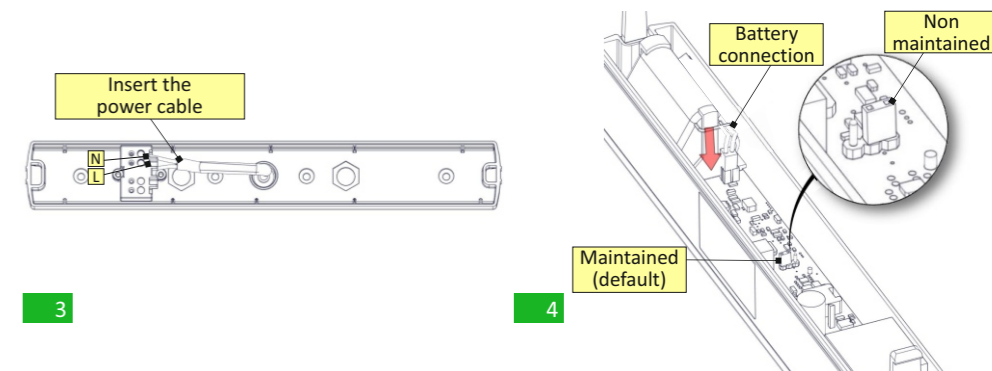
### Hanging installation



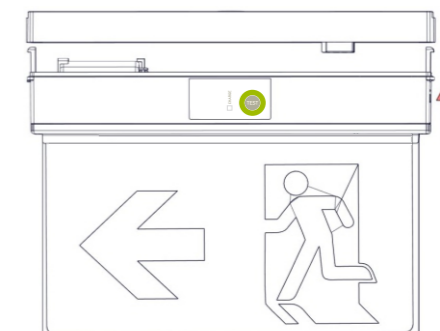
### Ceiling mounting



After the desired installation follow the steps below



### Luminary assembly



## Accessories for installation (After request)

- A-2130: Accessorie for ceiling (1m)
- A-2131: Accessorie for ceiling (0,5m)
- A-2132: Accessorie for ceiling (0,25m)
- A-2133: Accessorie for wall mounting
- A-2136: Accessorie for hanging installation (2,5m)
- A-2520/PL: Suspended ceiling base

## Battery replacement

- Disassemble the luminaire.
- Remove the battery connector and carefully remove the battery from its base.
- Install a new battery of the same type and rating.
- Assemble the luminaire and power the device.