

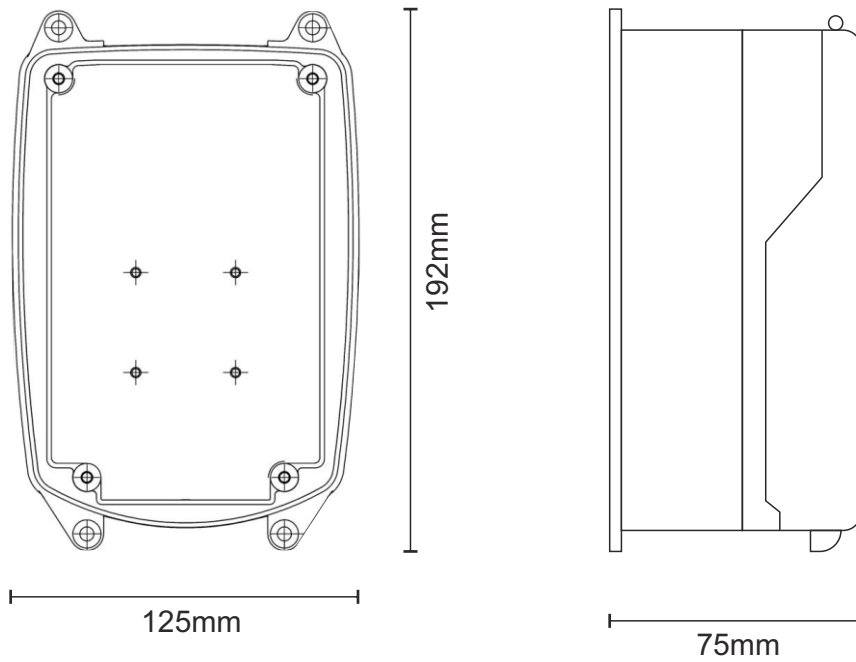
KIT BS-536/WHCP-BBR and KIT BSR-5036/A/WHCP-BBR Manual call points with waterproof case IP65



INSTALLATION INSTRUCTIONS

1. Detach the front cover.
2. Open one pre-etched entrance and install the included cable gland for the cable entrance. Mount the base with the included mounting parts. Pass through the cable gland the round cable and tighten in as to preserve the IP rating.
3. Unfasten the 2 retaining screws of the manual call point and open one pre-etched entrance on its base for the cable connection.
4. Remove the inner parts and perform the connections according with the included call point's instruction manual.
5. Replace the removed inner parts and fasten 2 retaining screws (step 3).
6. Replace the front cover (step 1) and fasten the 4 included retaining screws. Remove the protective membrane from the front cover.

DIMENSIONS OF WATERPROOF CASE



WARRANTY

Olympia Electronics guarantees the quality, condition and operation of the goods. The period of warranty is specified in the official catalogue of Olympia Electronics and also in the technical leaflet, which accompanies each product. This warranty ceases to exist if the buyer does not follow the technical instructions included in official documents given by Olympia Electronics or if the buyer modifies the goods provided or has any repairs or re-setting done by a third party, unless Olympia Electronics has fully agreed to them in writing. Products that have been damaged can be returned to the premises of our company for repair or replacement, as long as the warranty period is valid.

Olympia Electronics reserves the right to repair or to replace the returned goods and to or not charge the buyer depending on the reason of defection. Olympia Electronics reserves the right to charge or not the buyer the transportation cost.

HEAD OFFICE

72nd km. O.N.R. Thessaloniki-Katerini
P.C. 60300 P.O. Box 06 Eginio Pierias Greece

www.olympia-electronics.gr

info@olympia-electronics.gr