

Address Dipswitch
 setting

121	
122	
123	
124	
125	
126	
127	
128	
129	
130	
131	
132	
133	
134	
135	
136	
137	
138	
139	
140	
141	
142	
143	
144	
145	
146	
147	
148	
149	
150	



BSR-5036/A

Addressable manual call point



TECHNICAL CHARACTERISTICS

OPERATION VOLTAGE	21-28V
STANDBY CONSUMPTION	1mA
ALARM CONSUMPTION	1.5mA (with activation LED)
TYPE	Type A
USE	Indoor
DEGREES OF COVER PROTECTION	IP 20
PRODUCED IN ACCORDANCE WITH	EN 54-11
OPERATION TEMPERATURE RANGE	-10 to 70 °C
RELATIVE HUMIDITY	Up to 95%
CONSTRUCTION MATERIALS	ABS/PC
EXTERNAL DIMENSIONS	98x94x58mm
TYPICAL WEIGHT	190gr.
GUARANTEE	2 years

Description

BSR-5036/A is a addressable manual call point which activates the fire detection panel. It co-operates with BSR-1116 and BSR-2100 series panels. It is essential for it to exist in co-operation with the detectors. At least one button has to be placed in every fire detection system, near to the main control panel. By pushing the clear plastic cover, the button activates the alarm system. The clear plastic cover does not brake but can be reset to its original position with the special plastic key which is included in the package. With this way you can test a specific button as well maintenance the fire detection panel. In every fire detection system it is essential that you place one button besides the control panel and the rest mainly in corridors and exits of the building. It is mounted in a clearly visible spot, near at exit or ladder and at a height of 1,5 meters. A red coloured LED that blinks periodically in standby detection mode, is a power indication LED and indicator for the good operation of the device. When a button issues an alarm the LED lights. When we silence the sirens the LED remains lit to show us the detector that issued the alarm. The LED goes off when we RESET the panel. Each button has an address with which it is recognized from the panel. It is forbidden for two devices with same addresses to be connect to the same loop. The back page contains all the available address settings which are done using the dipswitch.

The panel references the buttons with the name CALL POINTS

Certification

The addressable manual call point BSR-5036/A is certified from EVPU and LPCB (1010c/02). Also EVPU controls the production under CPD number:

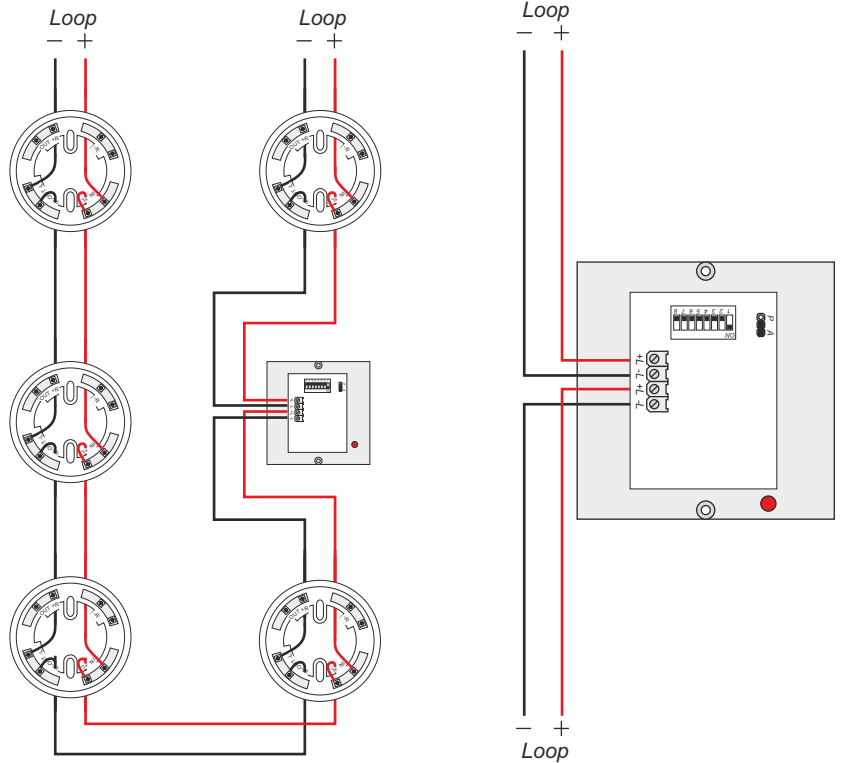
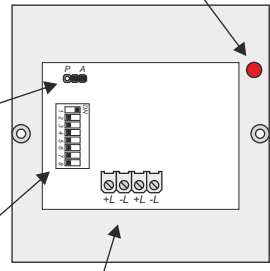
BSR-5036/A Addressable manual call point	
1293-CPD-0309	1293
EN-54-11: 2001 + A1: 2005	12
olympia electronics	
KOLINDROS PIERIAS 60061 GREECE	

Indicator LED.
 Blinks periodically in standby detection mode.
 The LED light when a button issue an alarm.
 The LED goes off when we RESET the panel.

Select the signal that the button sends to the panel.
 In position (A) the button sends an alarm signal.
 In position (N) the button sends a prealarm signal.
 (We have to also programm the panel)

Address selection dipperswitches .
 Aach device has its own address.

Terminal block for connecting to the loop.



Address	Dipperswitch setting	Address	Dipperswitch setting	Address	Dipperswitch setting	Address	Dipperswitch setting
1	ON 1 2 3 4 5 6 7 8	31	ON 1 2 3 4 5 6 7 8	61	ON 1 2 3 4 5 6 7 8	91	ON 1 2 3 4 5 6 7 8
2	ON 1 2 3 4 5 6 7 8	32	ON 1 2 3 4 5 6 7 8	62	ON 1 2 3 4 5 6 7 8	92	ON 1 2 3 4 5 6 7 8
3	ON 1 2 3 4 5 6 7 8	33	ON 1 2 3 4 5 6 7 8	63	ON 1 2 3 4 5 6 7 8	93	ON 1 2 3 4 5 6 7 8
4	ON 1 2 3 4 5 6 7 8	34	ON 1 2 3 4 5 6 7 8	64	ON 1 2 3 4 5 6 7 8	94	ON 1 2 3 4 5 6 7 8
5	ON 1 2 3 4 5 6 7 8	35	ON 1 2 3 4 5 6 7 8	65	ON 1 2 3 4 5 6 7 8	95	ON 1 2 3 4 5 6 7 8
6	ON 1 2 3 4 5 6 7 8	36	ON 1 2 3 4 5 6 7 8	66	ON 1 2 3 4 5 6 7 8	96	ON 1 2 3 4 5 6 7 8
7	ON 1 2 3 4 5 6 7 8	37	ON 1 2 3 4 5 6 7 8	67	ON 1 2 3 4 5 6 7 8	97	ON 1 2 3 4 5 6 7 8
8	ON 1 2 3 4 5 6 7 8	38	ON 1 2 3 4 5 6 7 8	68	ON 1 2 3 4 5 6 7 8	98	ON 1 2 3 4 5 6 7 8
9	ON 1 2 3 4 5 6 7 8	39	ON 1 2 3 4 5 6 7 8	69	ON 1 2 3 4 5 6 7 8	99	ON 1 2 3 4 5 6 7 8
10	ON 1 2 3 4 5 6 7 8	40	ON 1 2 3 4 5 6 7 8	70	ON 1 2 3 4 5 6 7 8	100	ON 1 2 3 4 5 6 7 8
11	ON 1 2 3 4 5 6 7 8	41	ON 1 2 3 4 5 6 7 8	71	ON 1 2 3 4 5 6 7 8	101	ON 1 2 3 4 5 6 7 8
12	ON 1 2 3 4 5 6 7 8	42	ON 1 2 3 4 5 6 7 8	72	ON 1 2 3 4 5 6 7 8	102	ON 1 2 3 4 5 6 7 8
13	ON 1 2 3 4 5 6 7 8	43	ON 1 2 3 4 5 6 7 8	73	ON 1 2 3 4 5 6 7 8	103	ON 1 2 3 4 5 6 7 8
14	ON 1 2 3 4 5 6 7 8	44	ON 1 2 3 4 5 6 7 8	74	ON 1 2 3 4 5 6 7 8	104	ON 1 2 3 4 5 6 7 8
15	ON 1 2 3 4 5 6 7 8	45	ON 1 2 3 4 5 6 7 8	75	ON 1 2 3 4 5 6 7 8	105	ON 1 2 3 4 5 6 7 8
16	ON 1 2 3 4 5 6 7 8	46	ON 1 2 3 4 5 6 7 8	76	ON 1 2 3 4 5 6 7 8	106	ON 1 2 3 4 5 6 7 8
17	ON 1 2 3 4 5 6 7 8	47	ON 1 2 3 4 5 6 7 8	77	ON 1 2 3 4 5 6 7 8	107	ON 1 2 3 4 5 6 7 8
18	ON 1 2 3 4 5 6 7 8	48	ON 1 2 3 4 5 6 7 8	78	ON 1 2 3 4 5 6 7 8	108	ON 1 2 3 4 5 6 7 8
19	ON 1 2 3 4 5 6 7 8	49	ON 1 2 3 4 5 6 7 8	79	ON 1 2 3 4 5 6 7 8	109	ON 1 2 3 4 5 6 7 8
20	ON 1 2 3 4 5 6 7 8	50	ON 1 2 3 4 5 6 7 8	80	ON 1 2 3 4 5 6 7 8	110	ON 1 2 3 4 5 6 7 8
21	ON 1 2 3 4 5 6 7 8	51	ON 1 2 3 4 5 6 7 8	81	ON 1 2 3 4 5 6 7 8	111	ON 1 2 3 4 5 6 7 8
22	ON 1 2 3 4 5 6 7 8	52	ON 1 2 3 4 5 6 7 8	82	ON 1 2 3 4 5 6 7 8	112	ON 1 2 3 4 5 6 7 8
23	ON 1 2 3 4 5 6 7 8	53	ON 1 2 3 4 5 6 7 8	83	ON 1 2 3 4 5 6 7 8	113	ON 1 2 3 4 5 6 7 8
24	ON 1 2 3 4 5 6 7 8	54	ON 1 2 3 4 5 6 7 8	84	ON 1 2 3 4 5 6 7 8	114	ON 1 2 3 4 5 6 7 8
25	ON 1 2 3 4 5 6 7 8	55	ON 1 2 3 4 5 6 7 8	85	ON 1 2 3 4 5 6 7 8	115	ON 1 2 3 4 5 6 7 8
26	ON 1 2 3 4 5 6 7 8	56	ON 1 2 3 4 5 6 7 8	86	ON 1 2 3 4 5 6 7 8	116	ON 1 2 3 4 5 6 7 8
27	ON 1 2 3 4 5 6 7 8	57	ON 1 2 3 4 5 6 7 8	87	ON 1 2 3 4 5 6 7 8	117	ON 1 2 3 4 5 6 7 8
28	ON 1 2 3 4 5 6 7 8	58	ON 1 2 3 4 5 6 7 8	88	ON 1 2 3 4 5 6 7 8	118	ON 1 2 3 4 5 6 7 8
29	ON 1 2 3 4 5 6 7 8	59	ON 1 2 3 4 5 6 7 8	89	ON 1 2 3 4 5 6 7 8	119	ON 1 2 3 4 5 6 7 8
30	ON 1 2 3 4 5 6 7 8	60	ON 1 2 3 4 5 6 7 8	90	ON 1 2 3 4 5 6 7 8	120	ON 1 2 3 4 5 6 7 8